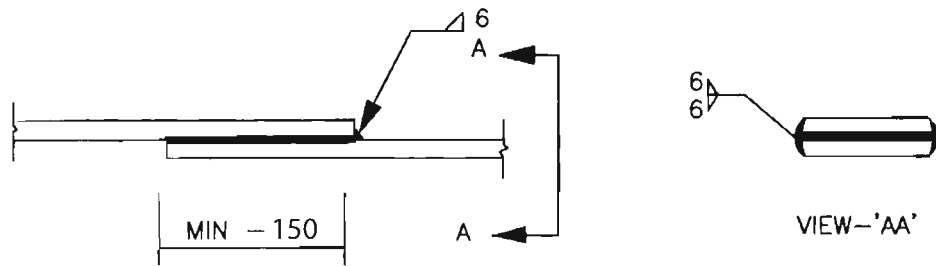
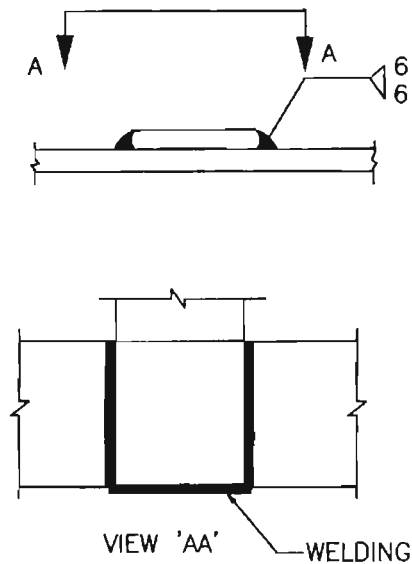


A. STRIP TO STRIP (50X6 MS FLAT)

1. STRAIGHT LAP JOINT/RISER



2. CROSS LAP JOINT



EQUIPMENT & STRUCTURE EARTHING DETAILS WELDING DETAILS - I

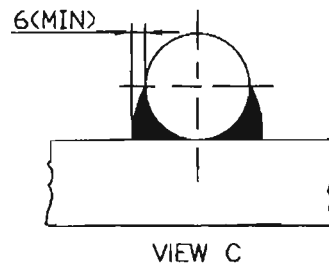
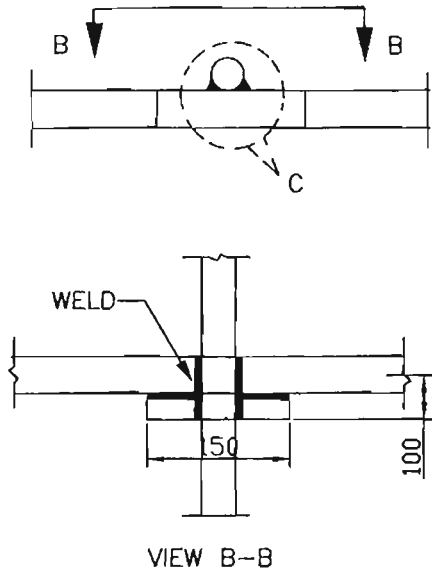
COMPUTERREF.NO.

DRG. No.

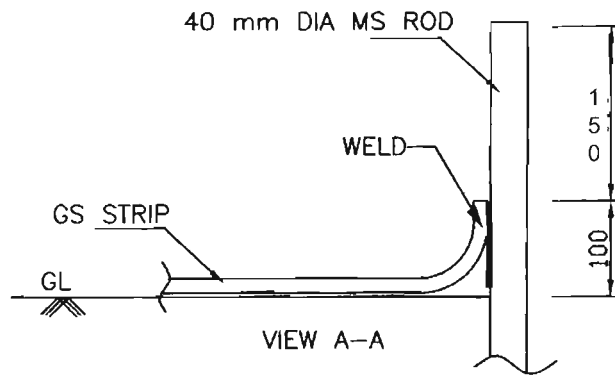
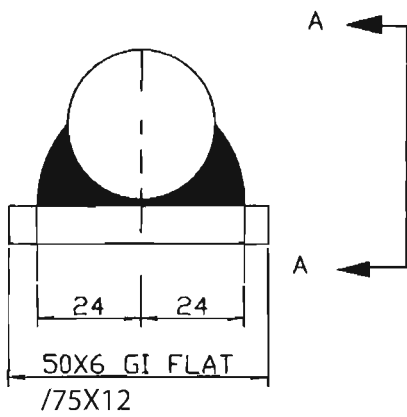
TB-STD-316-ROD WELDING

REV. 00

2. RIGHT ANGLED JOINT



3. ROD TO STRIP



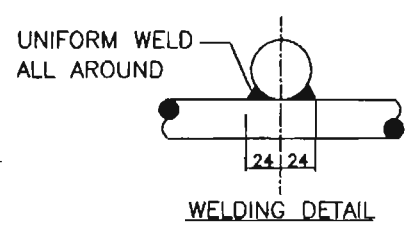
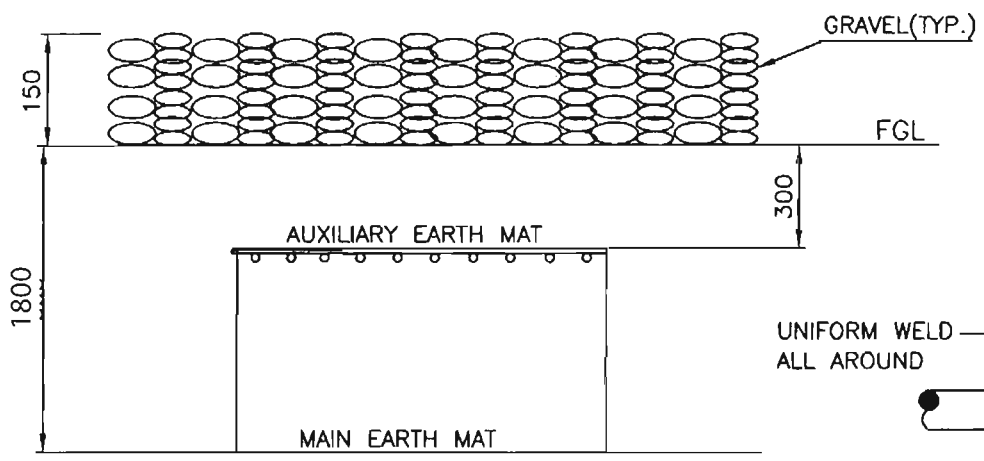
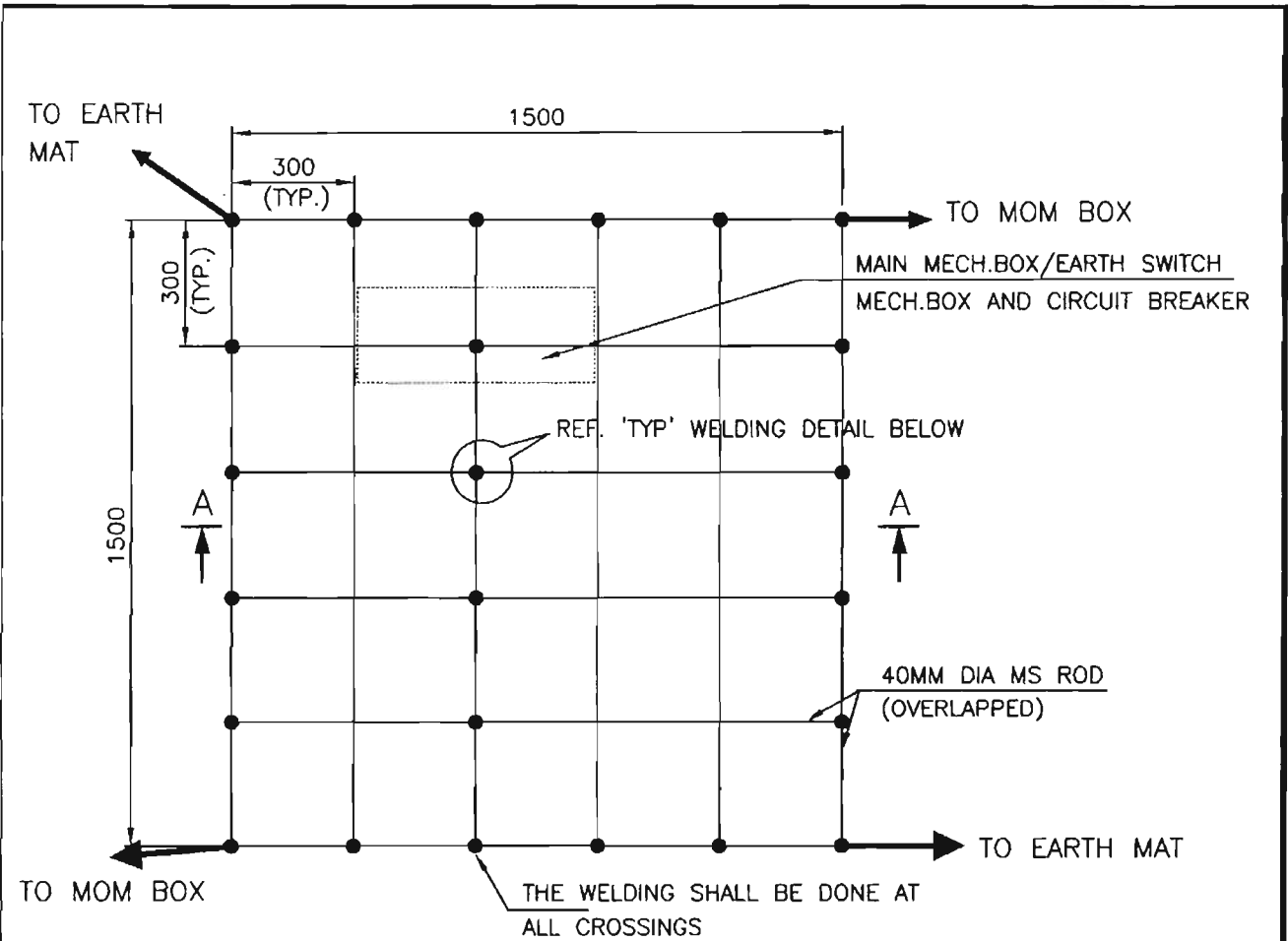
EQUIPMENT & STRUCTURE EARTHING DETAILS
WELDING DETAILS - II

COMPUTERREF.NO.

DRG. No.

TB-STD-316-ROD WELDING

REV. 00



SECTION AA

NOTE:

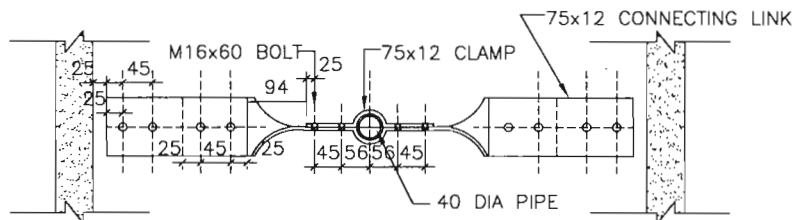
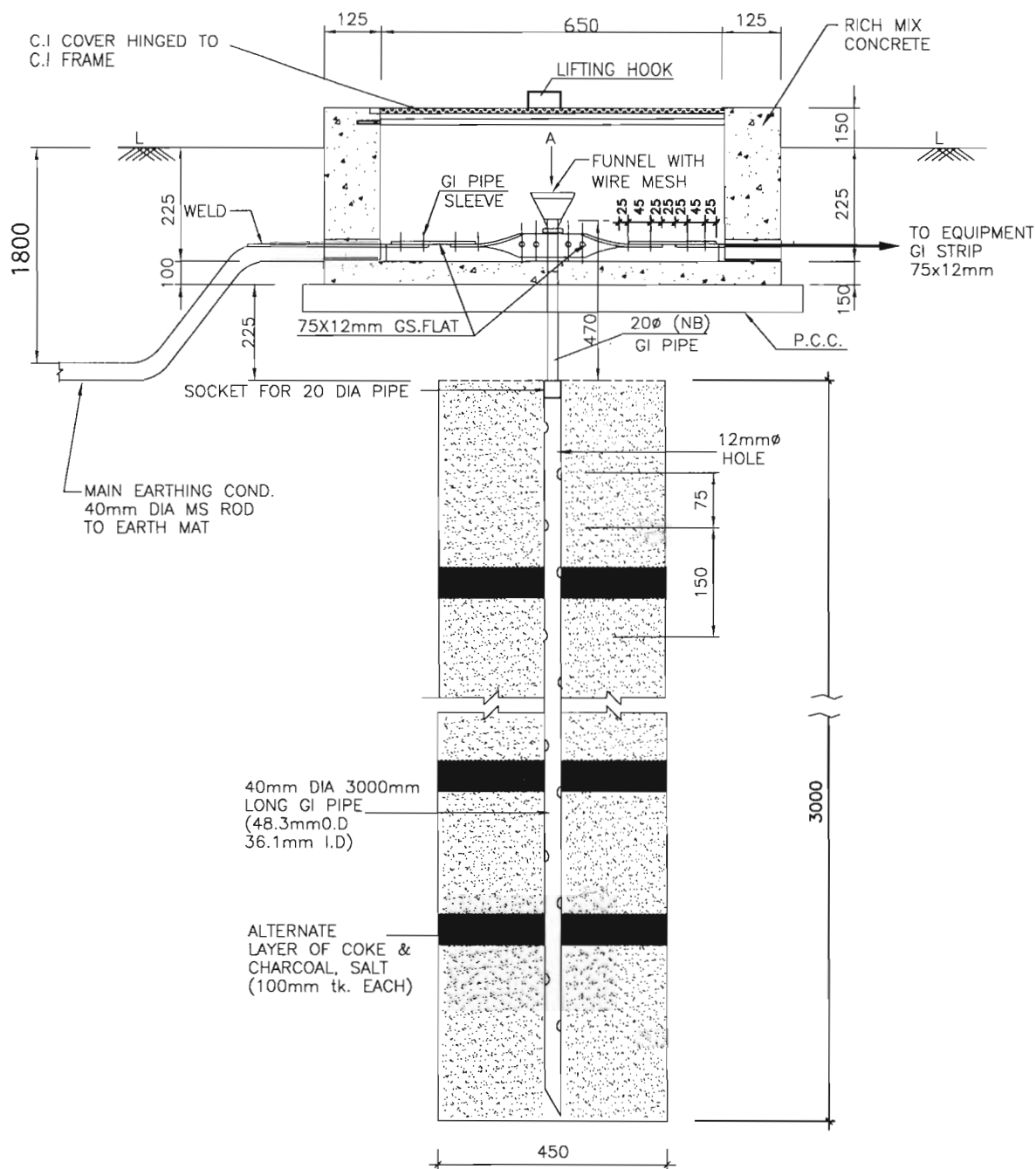
AUX. EARTH MAT SHALL BE SO POSITIONED THAT THE FOOT OF THE OPERATOR ALWAYS LIE OVER THE AUX. EARTH MAT AREA WHILE ATTENDING / OPERATING THE MECH. BOX. THE CABLE TRENCH ROUTING SHALL BE PLANNED ACCORDINGLY.



EQUIPMENT & STRUCTURE EARTHING DETAILS
AUXILIARY EARTH MAT FOR ISOLATOR MAIN MECH., E/S
MECH. BOX & CB (TYP.)

COMPU. DRC. REF.

Report No. TB-STD-316-AUX. MAT



VIEW-A

NOTE:

1. ALL NUTS,BOLTS AND WASHERS, FUNNEL GI PIPE AND WIRE MESH SHALL BE GALVANISED AS PER SPECIFICATION.
2. FUNNEL SHALL BE SECURELY HELD TO THE PIPE.
3. TO BE USED FOR CONNECTING TO NEUTRAL OF POWER TRANSFORMER/REACTOR/NGR

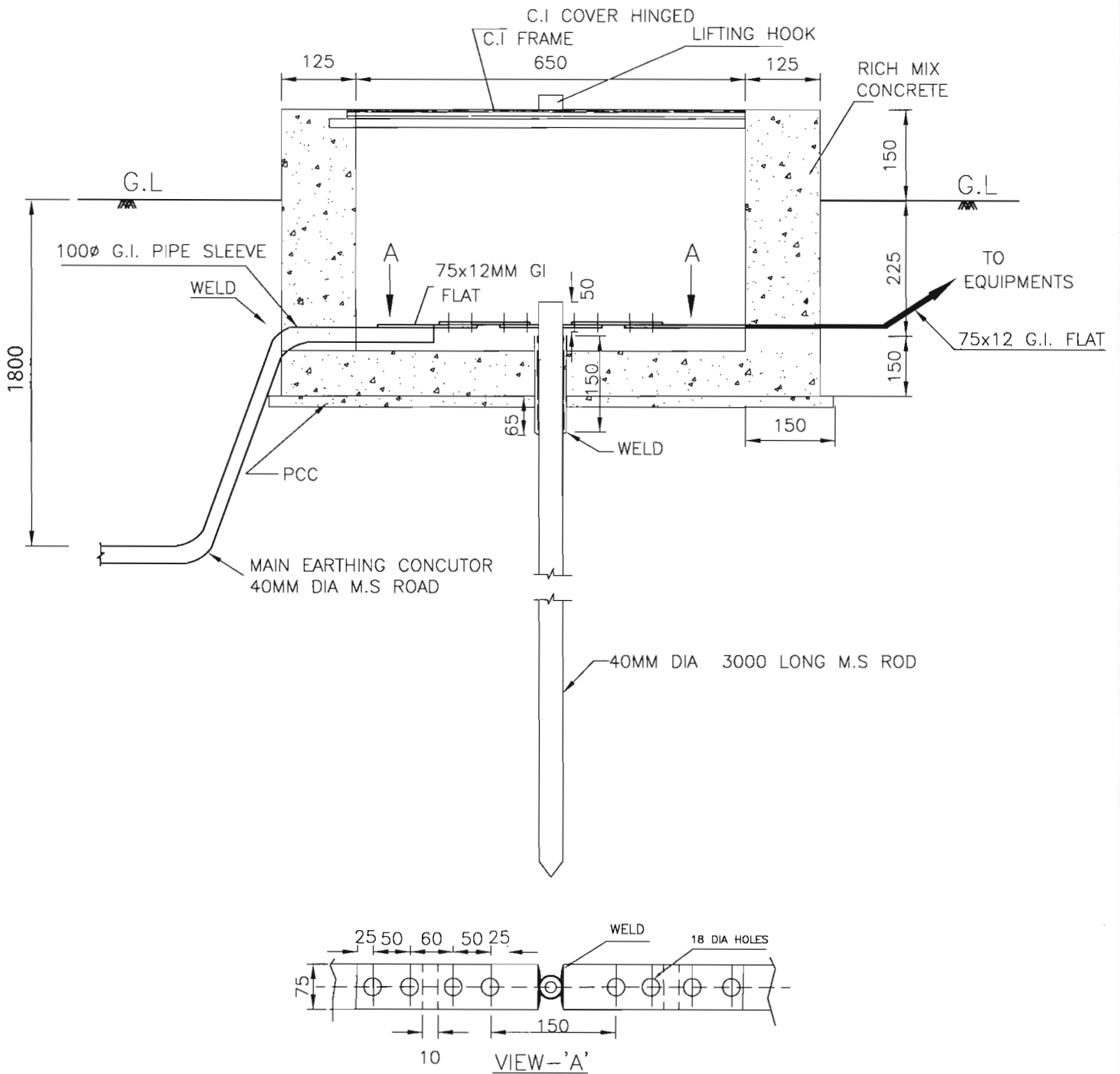


EQUIPMENT EARTHING DETAILS
 DETAILS OF PIPE EARTH ELECTRODE
 IN TREATED EARTH PIT (ET)

COMPUTERREF.NO.

DRG. No.

TB-STD-316-PIPE ELECTORDE REV. 00



NOTE:-

1. TO BE USED FOR CONNECTING DOWN CONDUCTOR OF LIGHTNING PROTECTION SYSTEM LM. TOWER WITH PEAK. NEUTRAL OF CVT. SURGE COUNTER OF LA ETC.



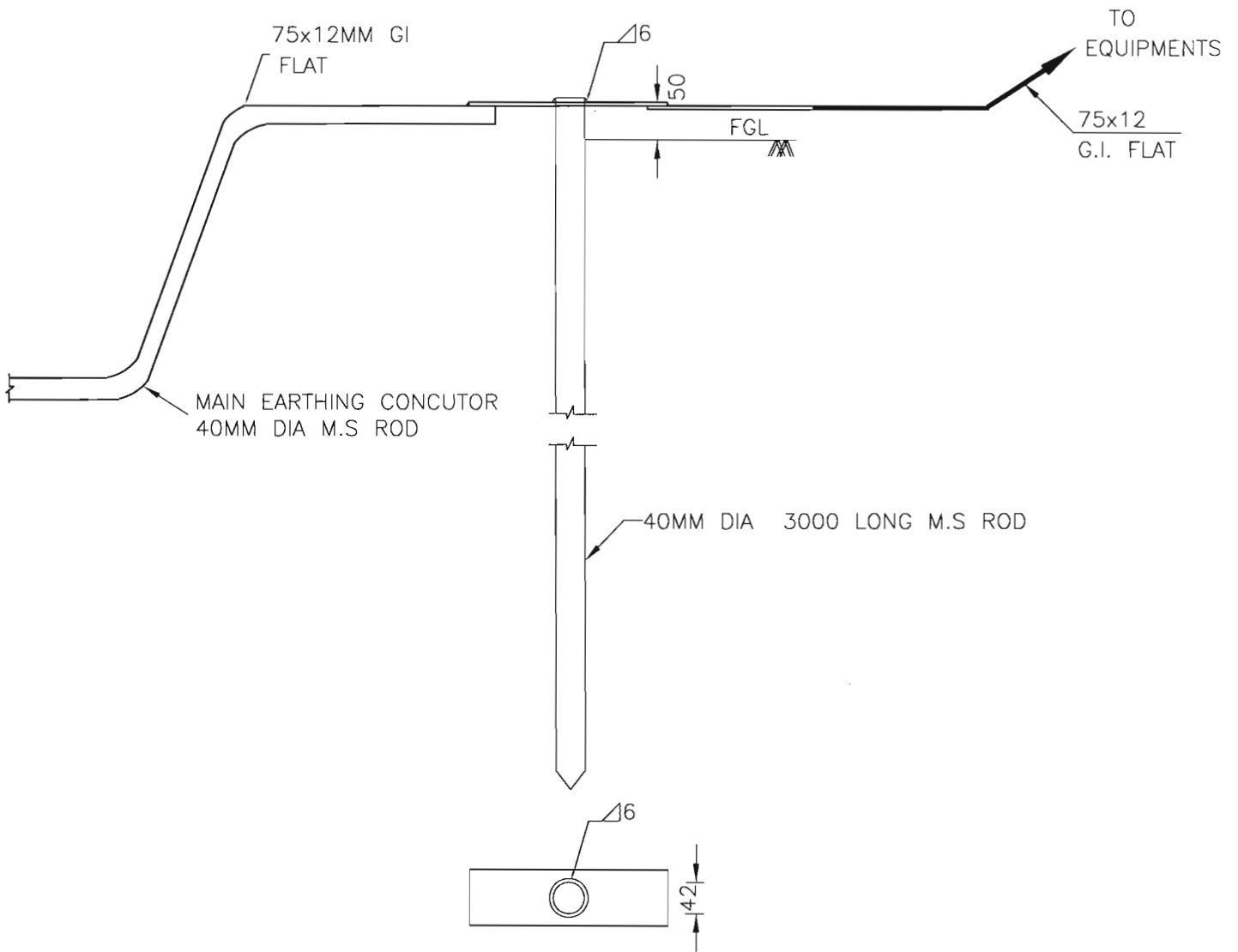
EQUIPMENT EARTHING DETAILS

ROD EARTH ELECTRODE WITH TEST LINK

COMPU. DRG. REF.

DRG. No.

TB-STD-316-ROD ELECTRODE WITH PIT



NOTE:-

1. TO BE USED FOR FENCE CORNERS ETC.



EQUIPMENT EARTHING DETAILS
 ROD EARTH ELECTRODE WITHOUT TEST LINK

COMPU. DRG. REF.

DRG. No. TB-STD-316-ROD ELECTRODE W/O PIT